

"aira" offers Heavy Duty Pneumatic Cylinders for Valve Automation Industries.

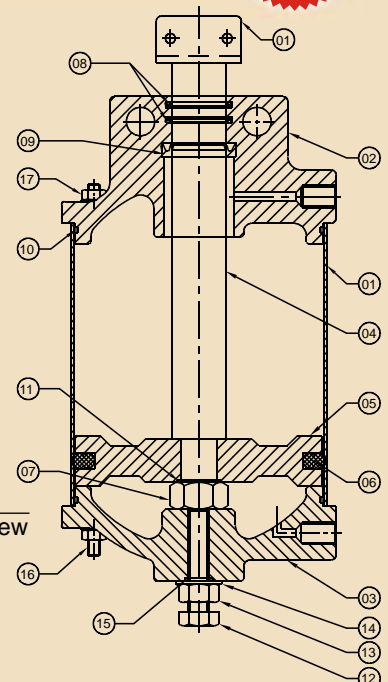
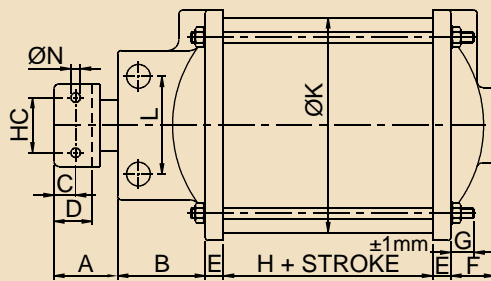
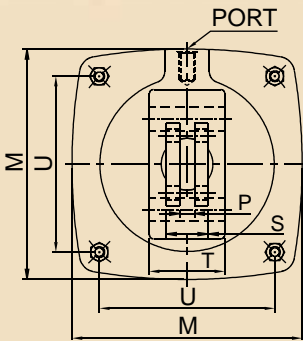
Technical Specifications :

Bore	100, 125, 150, 200, 250 & 300mm
Stroke	Upto 2500mm
Temperature Range	-20 °C to +80 °C
Pressure Range	12 bar Maximum
Stroke Adjustment	Provided for small adjustment of travel
Media	Air & Inert Gases



with
Adjusting
Range

Sr.No.	Description	Qty.	Material
01	Pipe	01	Stainless Steel
02	Top Cover	01	Graded Cast Iron
03	Bottom Cover	01	Graded Cast Iron
04	Piston Rod	01	Stainless Steel
05	Piston	01	S.G.I. / C.I.
06	V - Seal	01	NBR
07	Lock Nut	01	MS with Zinc Plated
08	Duster 'V' Seal	02	NBR
09	Shaft 'V' Seal	01	NBR
10	Pipe 'O' Ring	02	NBR
11	Piston 'O' Ring	01	NBR
12	Adjusting Bolt	01	MS with Zinc Plated
13	Adjusting Nut	01	MS with Zinc Plated
14	Washer	01	MS with Zinc Plated
15	'O' Ring	01	NBR
16	Stud	04	MS with Zinc Plated
17	Nut	08	MS with Zinc Plated
18	Clamp	01	MS WCB Powder Coated



Dimensions :

(All Dimensions are in mm)

Size		A	B	C	D	E	F	G	H	J (Ad. Screw)	K	L	M	N	P	S	T	U	PORT	HC
MM	Inch																			
63	2.1/2"	55	36	07	15	10	18	20	36	1/2" BSW	68	47.5	81	06	6	18	38	70	1/4" BSP	30
80	3"	55	36	07	15	10	18	20	35	1/2" BSW	84	47.5	93	06	6	18	38	60	1/4" BSP	30
100	4"	55	45	07	15	10	21	30	36	1/2" BSW	104	55	115	06	6	18	43	88	1/4" BSP	30
125	5"	60	72	10	20	10	24.5	30	46	1/2" BSW	129	66	146	06	9	21	54	110	1/4" BSP	80
150	6"	60	63	10	20	13	31.5	30	46	1/2" BSW	154	70	165	06	9	21	54	126	1/4" BSP	80
200	8"	60	96	12	20	15	44	40	55	3/4" BSW	219	85.5	230	08	12	27	80	175	3/8" BSP	100
250	10"	60	86.5	12	20	15	37.4	40	70	1" BSW	265	97.5	274	08	12	27	80.5	210	3/8" BSP	100
300	12"	60	85	12	20	20	37	40	70	1" BSW	316	97.5	335	08	12	27	80.5	250	3/8" BSP	100

Note : Since, constant worldwide advancement in technology, we keep our rights reserved to make changes time to time in Technical specifications and Dimensions without prior notice.